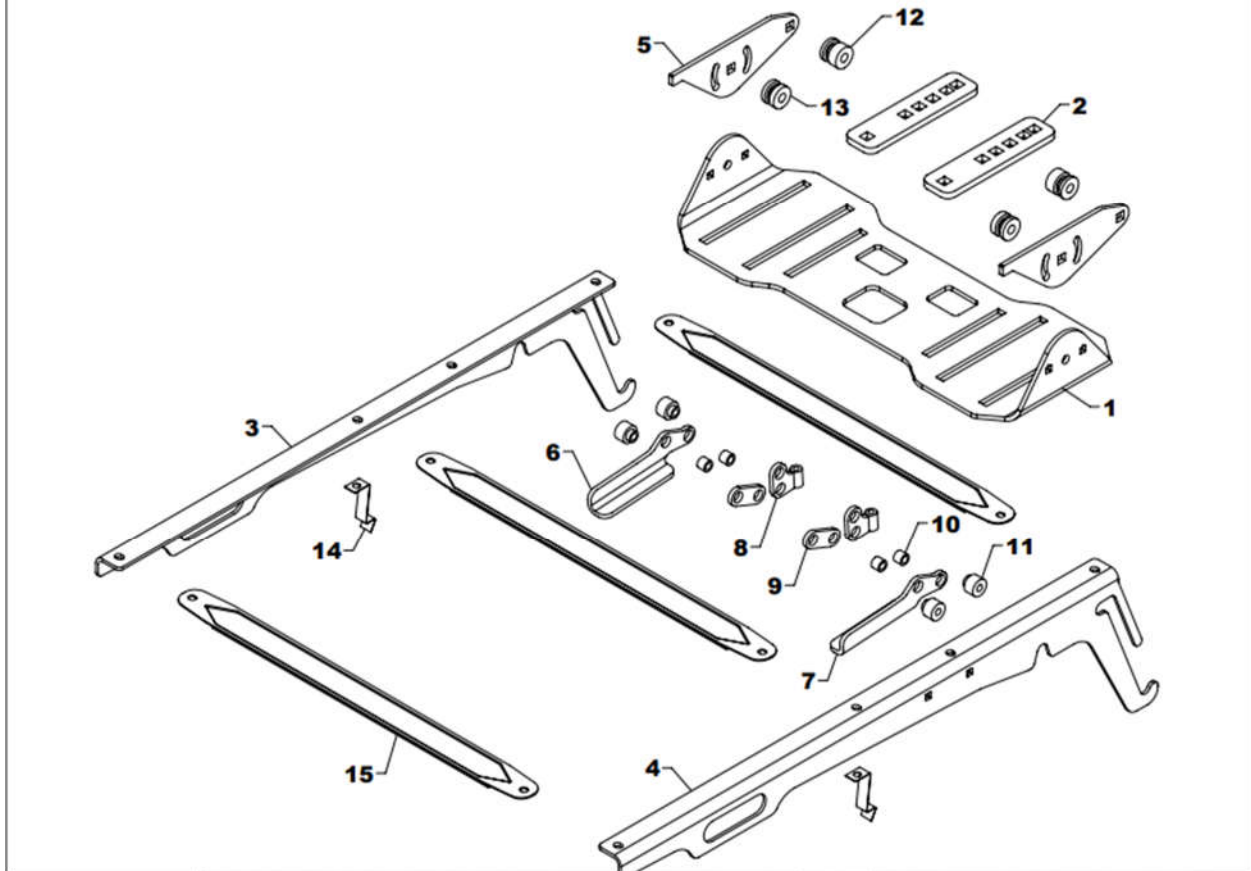


## Service & Maintenance

## DURA-POLY COOL CAP™ Basic Parts



### DURA-POLY COOL CAP™ EASY-OFF BRACKET REPLACEMENT PARTS

REF #	PART #	DESCRIPTION	QTY
1	HH-1	MAIN BRACKET	1
2	HH-7	CLAMP BAR	2
3	HH-32-R	LARGE COOL CAP ARM (RIGHT)	1
4	HH-32-L	LARGE COOL CAP ARM (LEFT)	1
5	HH-33	ADJUSTMENT PLATE	2
6	HH-34-R	CLAMP (RIGHT)	1
7	HH-34-L	CLAMP (LEFT)	1
8	HH-35AS	CLAMP ADJUSTER	2
9	HH-36	CLAMP	2
10	HH-38	HANDLE BUSHING	4
11	HH-39	BUSHING	4
12	HH-40	BUSHING	2
13	HH-41	GUIDE BUSHING	2
14	HH-42	SPRING LOCK	2
15	HH-56	SUPPORT BRACE	3

COOL CAP™ EASY-OFF BOLT KIT (BHH-A00)		
PART #	DESCRIPTION	QTY.
HHS0616016	3/8" X 1" BOLT	4
HHS0616020	3/8" X 1 1/4" BOLT	6
CBF0616016	3/8" X 1" CARRIAGE BOLT	4
CBF0616024	3/8" X 1 1/2" CARRIAGE BOLT	4
CBF0813032	1/2" X 2" CARRIAGE BOLT	4
CBF0813056	1/2" X 3 1/2" CARRIAGE BOLT	4
AHS0616020	3/8" X 1 1/4" SET SCREW	2
FWW06	3/8" FLAT WASHER	22
FWW08	1/2" FLAT WASHER	4
HTN0616	3/8" LOCK NUT	18
HTN0813	1/2" LOCK NUT	8

WESTENDORF MFG CO., INC. • PH: (712) 423-2762 • FAX: (712) 423-1460 • sales@westendorfmfg.com • www.loaders.com